

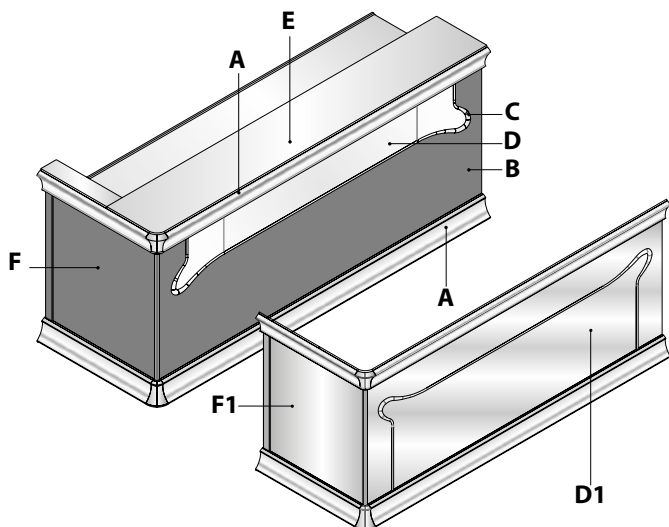
CARATTERISTICHE ESTETICHE

Aesthetic characteristics

SIFA
INDUSTRIAL DESIGN

LINEA STILUS LIGHT / MIRROR - (CLASSIC)

Stilus Light/Mirror line - Classic



- A Profilo** zoccolo e sotto banalina in alluminio brillantato.
Profile plinth and under serving top profile in polished aluminium.
- B Pannello** laminato lucido: Rosso - Nero - Viola - Crema - Noce Donatello - Palissandro.
Panel laminate: Red-Black-Purple-Cream- Donatello walnut- Palissandro
- C Lesena** in stampo di zama brillantata.
Decoration in polished Zama mold
- D Schermo** retroilluminato, realizzato in acrilite perlato.
Screen backlit, made of acrylite pearl
- DI** vetro stampato standard. Personalizzazione, optional.
standard, printed glass, customization, optional
- E Banalina** in marmo, granito, composto o in vetro verniciato (rosso, marrone, nero), standard.
Serving top in marble, granit, composite material painted glass (red, brown, black), standard
- F Fianco** terminale laminato come il pannello completo di profilo, zoccolo e ritorno banalina.
Side panel end panel laminated as the front panel, equipped with profile, plinth, and counter top back.
- F1 Fianco** terminale laminato come il pannello completo di profilo zoccolo.
Side panel end panel laminated as the front panel, equipped with plinth profile

CARATTERISTICHE TECNICHE: Struttura portante in melaminico idrorepellente.

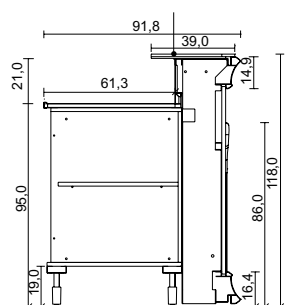
Technical characteristics: Load-bearing structure in water-repellent melamine.

Banco bar
Bar counter

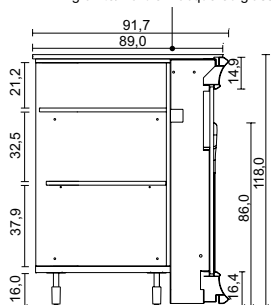
Jolly
Jolly

Cassa
Cash desk

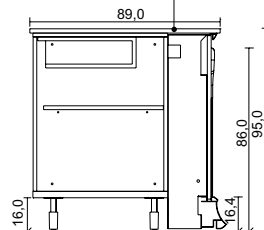
granito/marmo - vetro verniciato
granite/marble - lacquered glass



granito/marmo - vetro verniciato
granite/marble - lacquered glass



granito/marmo
granite/marble



BAR REFRIGERATO CELLA A BASSA TEMPERATURA

Refrigerated bar low temperature cell

| Lunghezza Cella Cell length | N° Sportelli Doors n° | Capacità cella (Lt.) Cell Capacity | Potenza gruppo Unit power | Cilindrata Compressore Compressor capacity | Resa frigorifera (-10°C)(4°F) Performance (+10°C)(4°F) | | Assorbimento illuminazione Lighting absorbed power | | Assorbimento gruppo Unit absorbed power | | Assorbimento totale Total absorbed power | | Temperatura di esercizio Working temperature | | Voltaggio Voltage | | GAS Gas |
|--------------------------------|--------------------------|---------------------------------------|------------------------------|---|---|--------|---|--------|--|--------|---|--------|---|---------|----------------------|-----------|------------|
| cm | N° | Lt. | HP | cm³ | W | BtU/Hr | W | A (US) | W | A (US) | W | A (US) | °C | °F (US) | V/Hz | V/Hz (US) | |
| L100 | 2 | 341 | 3/8 | 12,11 | 365 | 1498 | 10 | 0,07 | 573 | 4,37 | 583 | 4,44 | -16/-20 | +3,2/-4 | 220/240 50Hz | 220 60Hz | R404a |
| L150 | 3 | 519 | 5,8 | 17,40 | 436 | 1793 | 20 | 0,13 | 715 | 5,33 | 735 | 5,46 | -16/-20 | +3,2/-4 | 220/240 50Hz | 220 60Hz | R404a |

BAR
Bar

FOOD 90 A BAGNOMARIA

Food 90 bain-marie heated module

| Lunghezza Modulo module lengths | Resistenze Resistance | Potenza gruppo Unit power | Cilindrata Compressore Compressor capacity | Resa frigorifera (-10°C)(4°F) Performance (+10°C)(4°F) | | Assorbimento illuminazione Lighting absorbed power | | Assorbimento gruppo Unit absorbed power | | Assorbimento totale Total absorbed power | | Temperatura di esercizio Working temperature | | Voltaggio Voltage | | GAS Gas |
|------------------------------------|--------------------------|------------------------------|---|---|--------|---|--------|--|--------|---|--------|---|-----------|----------------------|-----------|------------|
| cm | Ohm | HP | cm³ | W | BtU/Hr | W | A (US) | W | A (US) | W | A (US) | °C | °F (US) | V/Hz | V/Hz (US) | |
| L125 | 24,2 | - | - | - | - | - | - | - | - | 2000 | 12,49 | +50/+90 | +122/+194 | 220/240 50Hz | 220 60Hz | |

FOOD 90 CALDA A SECCO

Food 90 dry-heated module

| Lunghezza Modulo module lengths | Resistenze Resistance | Potenza gruppo Unit power | Cilindrata Compressore Compressor capacity | Resa frigorifera (-10°C)(4°F) Performance (+10°C)(4°F) | | Assorbimento illuminazione Lighting absorbed power | | Assorbimento gruppo Unit absorbed power | | Assorbimento totale Total absorbed power | | Temperatura di esercizio Working temperature | | Voltaggio Voltage | | GAS Gas |
|------------------------------------|--------------------------|------------------------------|---|---|--------|---|--------|--|--------|---|--------|---|----------|----------------------|-----------|------------|
| cm | Ohm | HP | cm³ | W | BtU/Hr | W | A (US) | W | A (US) | W | A (US) | °C | °F (US) | V/Hz | V/Hz (US) | |
| L125 | 332x2 | - | - | - | - | - | - | - | - | 260 | 1,63 | +20/+70 | +68/+158 | 220/240 50Hz | 220 60Hz | |

FOOD 90 CON VASCA REFRIGERATA STATICA

Food 90 with refrigeration tank module

| Lunghezza Modulo module lengths | Resistenze Resistance | Potenza gruppo Unit power | Cilindrata Compressore Compressor capacity | Resa frigorifera (-10°C)(4°F) Performance (+10°C)(4°F) | | Assorbimento illuminazione Lighting absorbed power | | Assorbimento gruppo Unit absorbed power | | Assorbimento totale Total absorbed power | | Temperatura di esercizio Working temperature | | Voltaggio Voltage | | GAS Gas |
|------------------------------------|--------------------------|------------------------------|---|---|--------|---|--------|--|--------|---|--------|---|-----------|----------------------|-----------|------------|
| cm | Ohm | HP | cm³ | W | BtU/Hr | W | A (US) | W | A (US) | W | A (US) | °C | °F (US) | V/Hz | V/Hz (US) | |
| L125 | - | 1/5 | 5,20 | 292 | 1201 | 30 | 0,19 | 201 | 1,70 | 231 | 1,89 | +2/+5 | +35,6/+41 | 220/240 50Hz | 220 60Hz | R134 |

SELF SERVICE A BAGNOMARIA

Self service bain marie

| Lunghezza Modulo module lengths | Resistenze Resistance | Potenza gruppo Unit power | Cilindrata Compressore Compressor capacity | Resa frigorifera (-10°C)(4°F) Performance (+10°C)(4°F) | | Assorbimento illuminazione Lighting absorbed power | | Assorbimento gruppo Unit absorbed power | | Assorbimento totale Total absorbed power | | Temperatura di esercizio Working temperature | | Voltaggio Voltage | | GAS Gas |
|------------------------------------|--------------------------|------------------------------|---|---|--------|---|--------|--|--------|---|--------|---|-----------|----------------------|-----------|------------|
| cm | Ohm | HP | cm³ | W | BtU/Hr | W | A (US) | W | A (US) | W | A (US) | °C | °F (US) | V/Hz | V/Hz (US) | |
| L125 | 24,2 | - | - | - | - | - | - | - | - | 2000 | 12,49 | +50/+90 | +122/+194 | 220/240 50Hz | 220 60Hz | |

BANCO BAR REFRIGERATO

Refrigerated bar counter

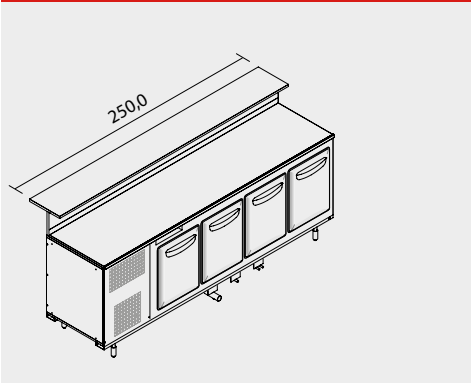
SIFA
INDUSTRIAL DESIGN

SENZA SERVIZI - CHIUSURA SPORTELLO MAGNETICA

Without equipments - Dood with magnetic closure

L 250

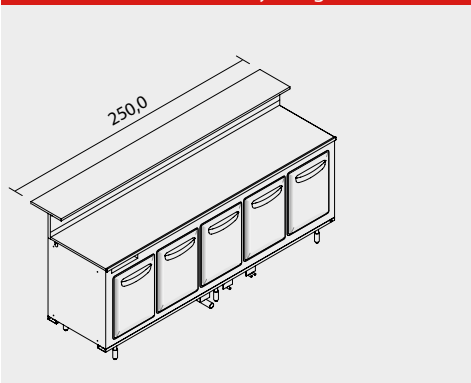
CELLA L.200
Cell L200



| | SP | Minimal | Classic | Design | Premium |
|----|--------|---------|---------|--------|---------|
| CG | € 0.00 | € 0.00 | € 0.00 | € 0.00 | € 0.00 |
| SG | € 0.00 | € 0.00 | € 0.00 | € 0.00 | € 0.00 |

L 250

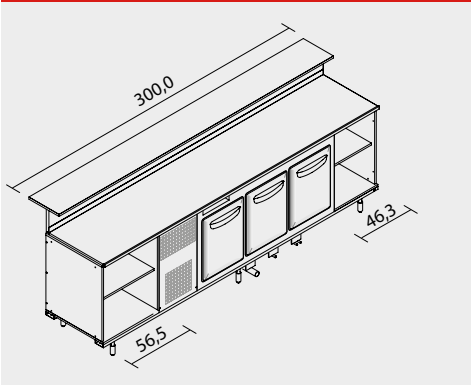
TUTTA CELLA
Totally refrigerated



| | SP | Minimal | Classic | Design | Premium |
|----|--------|---------|---------|--------|---------|
| SG | € 0.00 | € 0.00 | € 0.00 | € 0.00 | € 0.00 |

L 300

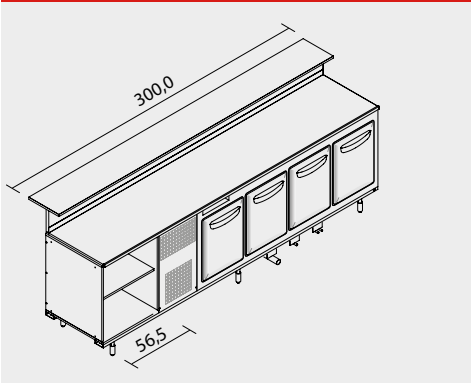
CELLA L.150
Cell L150



| | SP | Minimal | Classic | Design | Premium |
|----|--------|---------|---------|--------|---------|
| CG | € 0.00 | € 0.00 | € 0.00 | € 0.00 | € 0.00 |
| SG | € 0.00 | € 0.00 | € 0.00 | € 0.00 | € 0.00 |

L 300

CELLA L.200
Cell L200



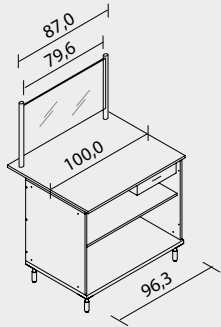
| | SP | Minimal | Classic | Design | Premium |
|----|--------|---------|---------|--------|---------|
| CG | € 0.00 | € 0.00 | € 0.00 | € 0.00 | € 0.00 |
| SG | € 0.00 | € 0.00 | € 0.00 | € 0.00 | € 0.00 |

I SUDDETTI PREZZI SONO PER L'EVAPORATORE STATICO; PER L'EVAPORATORE VENTILATO O A SCOMPARSA VEDERE OPTIONAL The above-mentioned prices are for static evaporator; for ventilated and retractable evaporator see optional section

BANCO TOTOLOTTO

Lottery counter

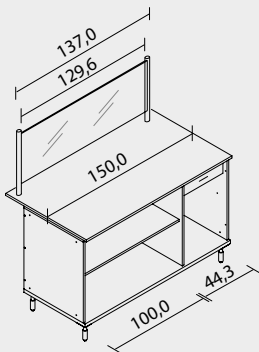
L 100



| | SP | Minimal | Classic | Design | Premium |
|----|--------|---------|---------|--------|---------|
| CG | € 0.00 | € 0.00 | € 0.00 | € 0.00 | € 0.00 |

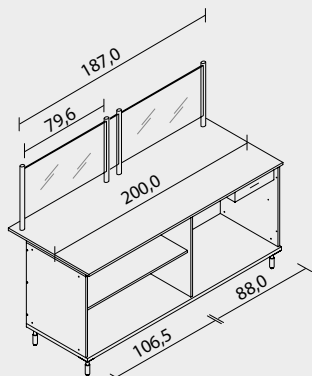
BAR
Bar

L 150



| | SP | Minimal | Classic | Design | Premium |
|----|--------|---------|---------|--------|---------|
| CG | € 0.00 | € 0.00 | € 0.00 | € 0.00 | € 0.00 |

L 200



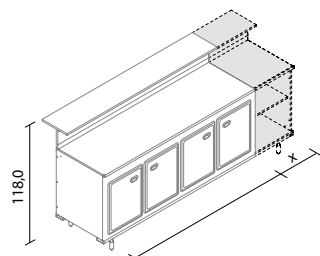
| | SP | Minimal | Classic | Design | Premium |
|----|--------|---------|---------|--------|---------|
| CG | € 0.00 | € 0.00 | € 0.00 | € 0.00 | € 0.00 |

SUPPLEMENTO

Extra charge

BAR REFRIGERATO LINEARE CON LUNGHEZZA A RICHIESTA *

Linear Refrigerated Bar counter with customised length, extra charge *



* Il supplemento va aggiunto al prezzo del banco con lunghezza superiore alla lunghezza richiesta. Il taglio su misura va effettuato nel vano neutro.

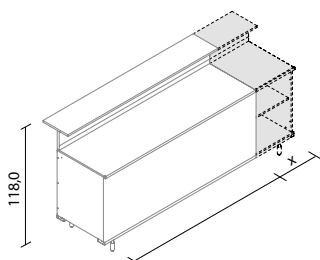
The extra charge is to be added to the price of a counter that is longer than the required one. The customised cut is to be executed on the neutral compartment.

| da cm | a cm | |
|-------|------|-------|
| 101 | 149 | € 000 |
| 151 | 199 | € 000 |
| 201 | 249 | € 000 |
| 251 | 299 | € 000 |
| 301 | 349 | € 000 |
| 351 | 399 | € 000 |

BAR
Bar

BAR NON REFRIGERATO LINEARE CON LUNGHEZZA A RICHIESTA SUPPLEMENTO *

Linear Non-Refrigerated Bar counter with customised length, extra charge *



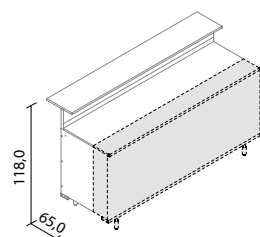
* Il supplemento va aggiunto al prezzo del banco con lunghezza superiore alla lunghezza richiesta.

The extra charge is to be added to the price of a counter that is longer than the required one.

| da cm | a cm | |
|-------|------|-------|
| 51 | 99 | € 000 |
| 101 | 149 | € 000 |
| 151 | 199 | € 000 |
| 201 | 249 | € 000 |
| 251 | 299 | € 000 |
| 301 | 349 | € 000 |
| 351 | 399 | € 000 |

BAR NON REFRIGERATO CON PROFONDITA' A RICHIESTA, SUPPLEMENTO (DA CM.82 A CM.65)

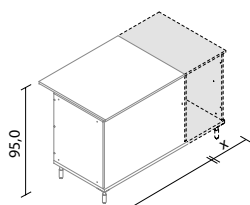
Linear Non-Refrigerated Bar counter with customised depth, extra charge (from cm 82 to cm 65)



| da cm | a cm | |
|-------|------|-------|
| 50 | 200 | € 000 |
| 250 | 400 | € 000 |

CASSA CON LUNGHEZZA A RICHIESTA SUPPLEMENTO *

Cash-desk with customised length, extra charge *



* Il supplemento va aggiunto al prezzo del banco con lunghezza superiore alla lunghezza richiesta.

The extra charge is to be added to the price of a counter that is longer than the required one.

| da cm | a cm | |
|-------|------|-------|
| 51 | 99 | € 000 |
| 101 | 149 | € 000 |
| 151 | 199 | € 000 |

FIANCO TERMINALE IN ACCIAIO O LAMIERA VERNICIATA

End side panel in stainless steel or in painted metal sheet

| | SPRING | SLIK | SMART | DOMINA | SKINNER | STILUS | KRONOS | MIRA | MEMPHIS | AMADEUS | DOCKS | YORK | RAMSES |
|------------------------|--------|------|-------|--------|---------|--------|--------|------|---------|---------|-------|------|--------|
| Bar-Jolly Bar-Jolly | | | | | | | | | | - | € 000 | - | € 000 |
| Cassa Cash desk | | | | | | | | | | - | € 000 | - | € 000 |

MEMPHIS Maggiorazione per cartella € 230,00

Memphis Extra charge for each rectangular front panel € 230,00

RAMSES Maggiorazione per vetro grigio scuro € 200,00

Ramses Extra charge for dark grey glass € 200,00

SKINNER-MIRA Fianco in lamiera verniciata con laminato coordinato al frontale

Skinner-Mira Painted sheet metal end side panel with laminate coordinated to the front

FIANCO TERMINALE IN VETRO TEMPERATO VERNICIATO

End side panel in tempered painted glass

| | SPRING | SLIK | SMART | DOMINA | SKINNER | STILUS | KRONOS | MIRA | MEMPHIS | AMADEUS | DOCKS | YORK | RAMSES |
|------------------------|--------|-------|-------|--------|---------|--------|--------|------|---------|---------|-------|------|--------|
| Bar-Jolly Bar-Jolly | - | € 000 | - | - | - | - | - | - | - | - | - | - | - |
| Cassa Cash desk | - | € 000 | - | - | - | - | - | - | - | - | - | - | - |

FIANCO TERMINALE COORDINATO AL FRONTALE

End side panel coordinated to the front

| | SPRING | SLIK | SMART | DOMINA | SKINNER | STILUS | KRONOS | MIRA | MEMPHIS | AMADEUS | DOCKS | YORK | RAMSES |
|------------------------|--------|------|-------|--------|---------|--------|--------|------|---------|---------|-------|------|--------|
| Bar-Jolly Bar-Jolly | - | - | - | - | - | € 000 | - | - | - | - | - | - | - |
| Cassa Cash desk | - | - | - | - | - | € 000 | - | - | - | - | - | - | - |

FIANCO TERMINALE IN MELAMINICO CON BORDI A SPESSORE

End side panel in melamine with thick edge

| | SPRING | SLIK | SMART | DOMINA | SKINNER | STILUS | KRONOS | MIRA | MEMPHIS | AMADEUS | DOCKS | YORK | RAMSES |
|------------------------|--------|------|-------|--------|---------|--------|--------|------|---------|---------|-------|-------|--------|
| Bar-Jolly Bar-Jolly | - | - | - | - | - | - | - | - | - | € 000 | - | € 000 | - |
| Cassa Cash desk | - | - | - | - | - | - | - | - | - | € 000 | - | € 000 | - |

FIANCO DI COLLEGAMENTO

Connecting side panel

€ 000

ESCLUSO: KRONOS-DOCKS-YORK STYLE-RAMSES

Not available: Kronos-Docks-York Style-Ramses